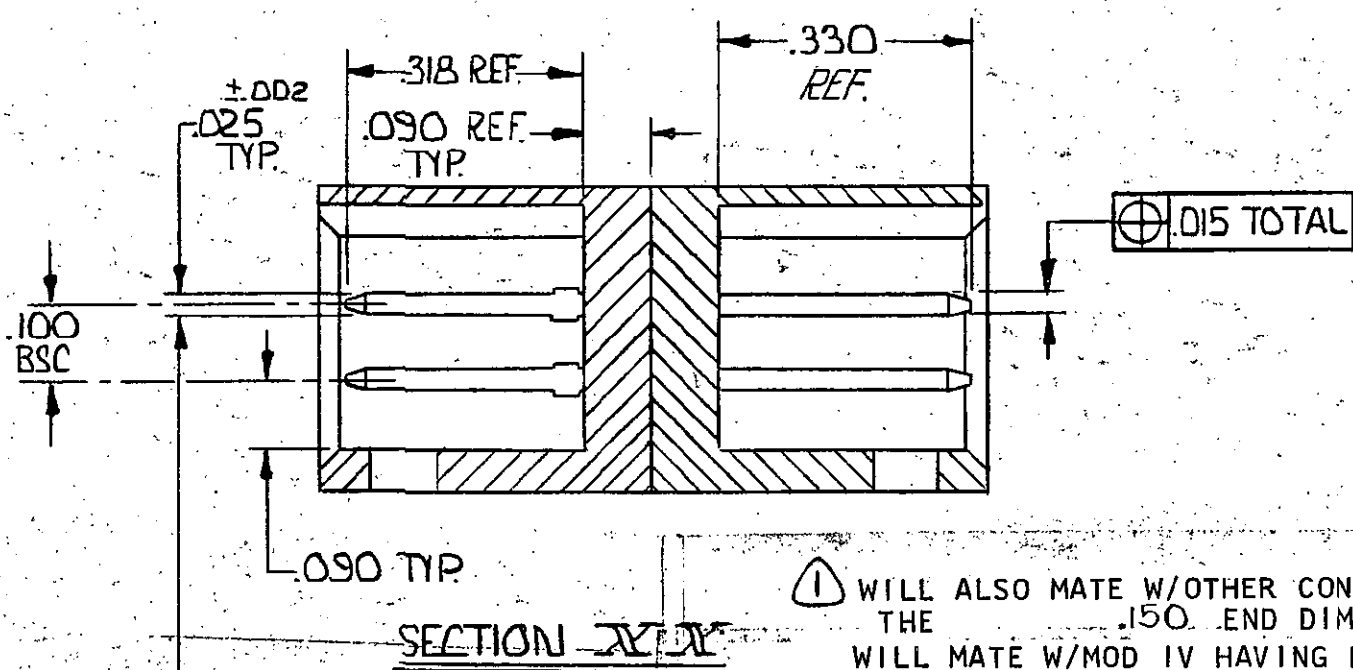
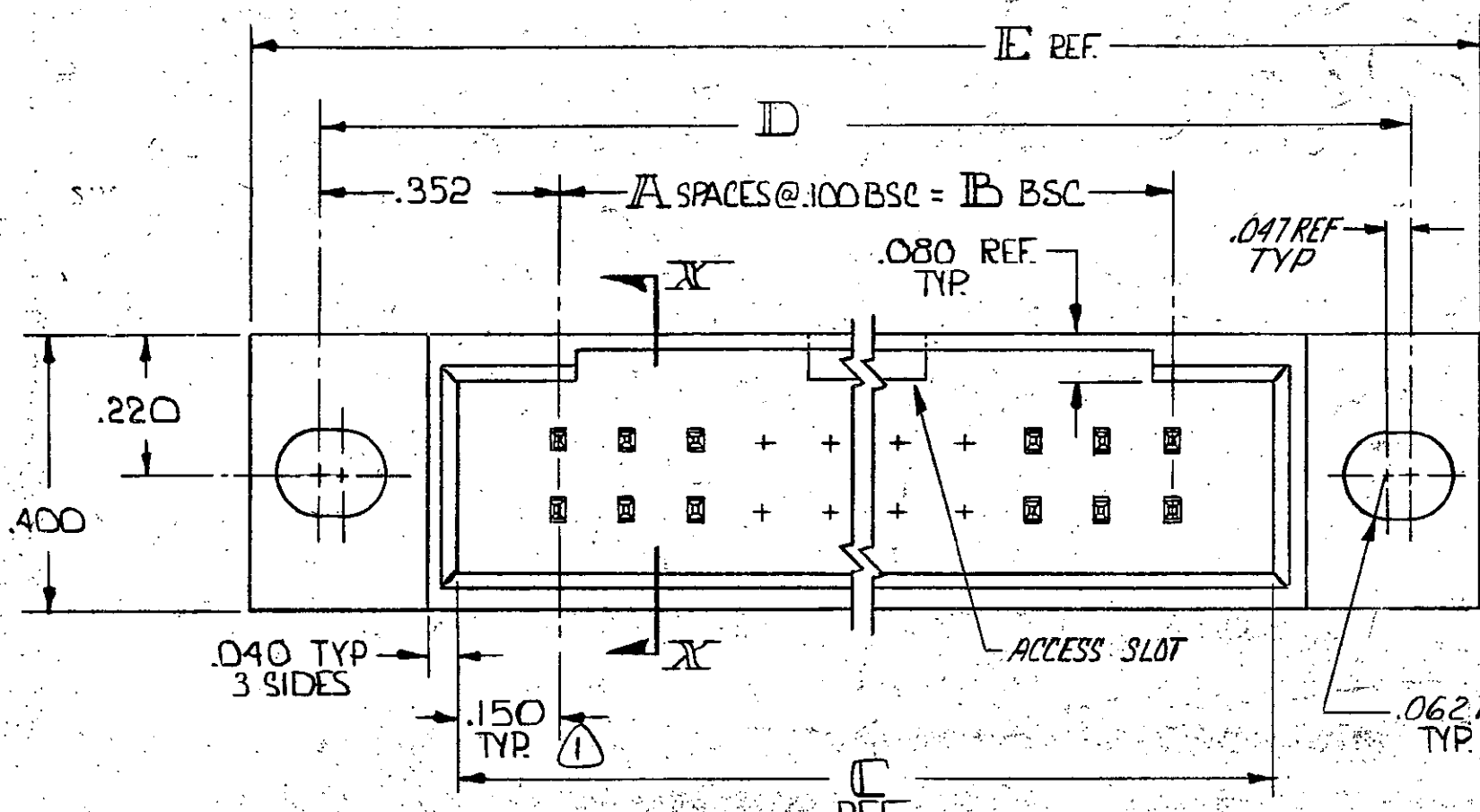
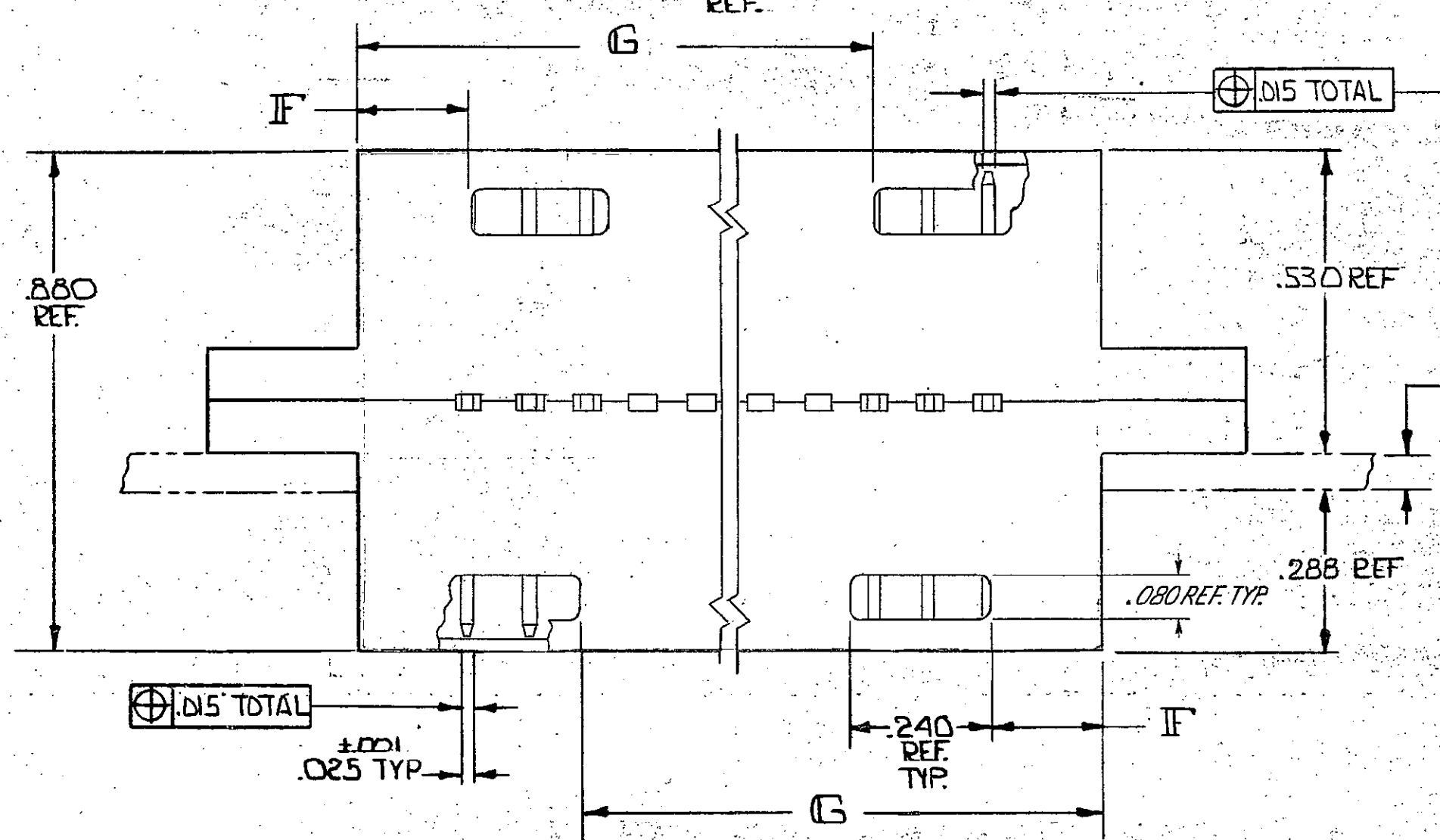


© COPYRIGHT 1975-83 BY AMP INCORPORATED, HARRISBURG, PA. ALL INTERNATIONAL RIGHTS RESERVED. AMP INCORPORATED PRODUCTS COVERED BY U. S. AND FOREIGN PATENTS AND/OR PATENTS PENDING.

REVISIONS					
REV.	ZONE	LTR	DESCRIPTION	DATE	APPROVED
✓		E	REV PER AD-5084	8-1-77	JF
✓		F	REV PER 0610-0981-93	9-13	RAC/JJA
✓		G	REV PER 0610-0375-94	3-0-94	JK
✓		H	REV PER 0310-0146-96	2-27-97	EB/BAS

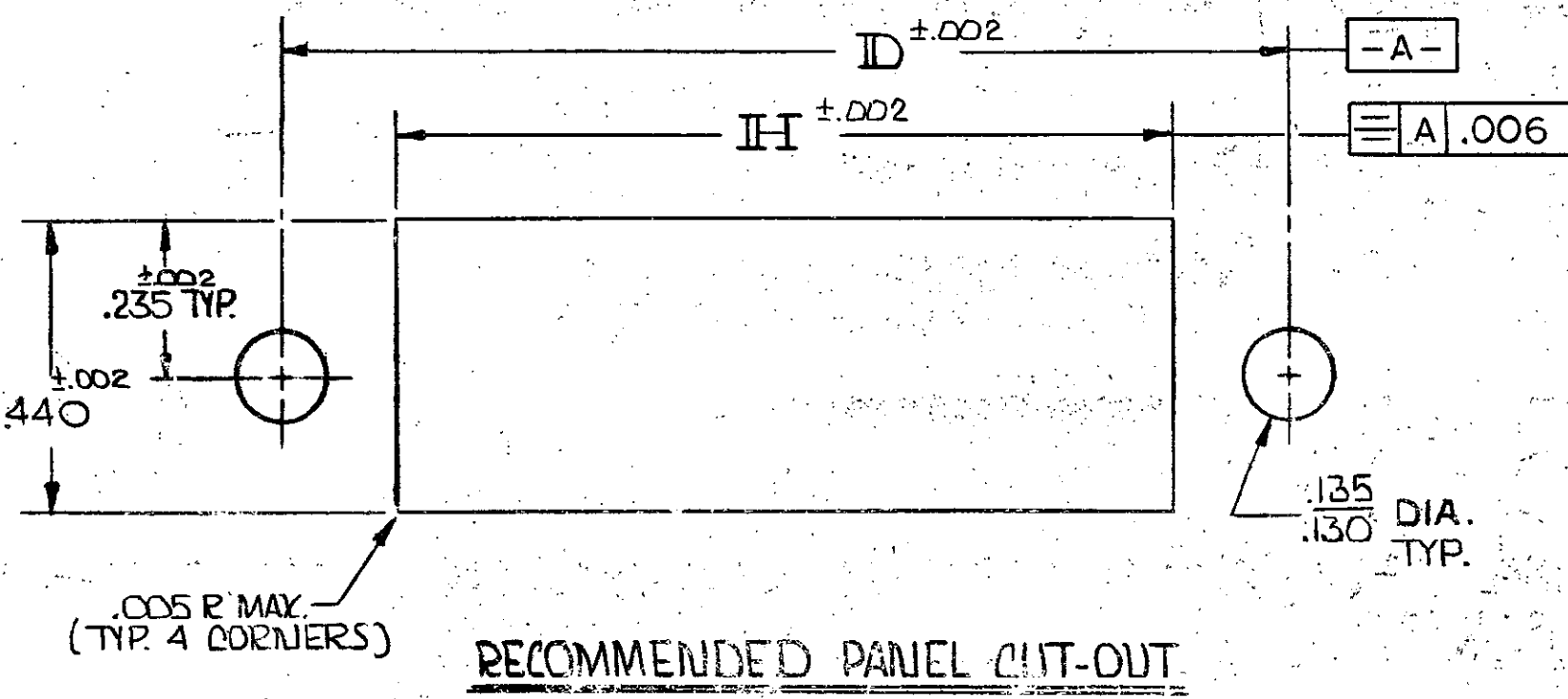


① WILL ALSO MATE W/OTHER CONNECTORS WHICH ARE COMPATIBLE WITH THE .150 END DIM.
WILL MATE W/MOD IV HAVING FOUR EXTRA EMPTY CIRCUITS (TWO EACH END -- EX: 20 POS. POST HDR. WILL MATE W/24 POS. MOD IV HSG.)



⚠ OBSOLETE PART NUMBER

H	G	F	E	D	C	B	A	NO. OF POS.	PART NO.
.700	—	.190	1.204	1.004	.600	.300	3	8	2-⚠
3.900	2.890	.190	3.804	3.604	3.200	2.900	29	60	2-87605-6
3.200	2.790		3.704	3.504	3.100	2.800	28	58	2-⚠ -5
3.100	2.690		3.604	3.404	3.000	2.700	27	56	2-⚠ -4
3.000	2.590		3.504	3.304	2.900	2.600	26	54	2-⚠ -3
2.900	2.490		3.404	3.204	2.800	2.500	25	52	2-⚠ -2
2.800	2.390		3.304	3.104	2.700	2.400	24	50	2-⚠ -1
2.700	2.290		3.204	3.004	2.600	2.300	23	48	2-⚠ -0
2.600	2.190		3.104	2.904	2.500	2.200	22	46	1-⚠ -9
2.500	2.090		3.004	2.804	2.400	2.100	21	44	1-⚠ -8
2.400	1.990		2.904	2.704	2.300	2.000	20	42	1-⚠ -7
2.300	1.890		2.804	2.604	2.200	1.900	19	40	1-⚠ -6
2.200	1.790		2.704	2.504	2.100	1.800	18	38	1-⚠ -5
2.100	1.690		2.604	2.404	2.000	1.700	17	36	1-⚠ -4
2.000	1.590		2.504	2.304	1.900	1.600	16	34	1-⚠ -3
1.900	1.490		2.404	2.204	1.800	1.500	15	32	1-⚠ -2
1.800	1.390		2.304	2.104	1.700	1.400	14	30	1-⚠ -1
1.700	1.290		2.204	2.004	1.600	1.300	13	28	1-⚠ -0
1.600	1.190		2.104	1.904	1.500	1.200	12	26	1-⚠ -9
1.500	1.090		2.004	1.804	1.400	1.100	11	24	1-⚠ -8
1.400	.990		1.904	1.704	1.300	1.000	10	22	⚠ -7
1.300	.890	.190	1.804	1.604	1.200	.900	9	20	⚠ -6
1.200	—	.490	1.704	1.504	1.100	.800	8	18	⚠ -5
1.100	—	.390	1.604	1.404	1.000	.700	7	16	⚠ -4
1.000	—	.390	1.504	1.304	.900	.600	6	14	⚠ -3
.900	—	.290	1.404	1.204	.800	.500	5	12	⚠ -2
.800	—	.290	1.304	1.104	.700	.400	4	10	87605-1



UNLESS OTHERWISE SPECIFIED DIMENSIONS ARE IN INCHES.
TOLERANCES ON:
DECIMALS ±.005
ANGLES ±

CONTRACT NO. DR 9/18/75
CHK'D DM With 9-18-75
APP'D Bennett 9-22-75
APP'D R. Clark 9-22-75
DSGN APP'D
OTHER APP'D

AMP INCORPORATED Harrisburg, Pa.
NAME: HEADER ASS'Y. MOD II
100 X 100 CENTERS MTG. EARS W/PIN PROTECTORS BOTH SIDES
(MATES W/AMP LATCH AND/OR FFC) ①
SIZE: 100 X 100 X 100 NO. DRAWING: NO
SCALE: 1:1
SHEET 1 of 1

87605